

Spring 2026 Edition



W Winton

www.wintonmachinery.co.uk
sales@wintonmachinery.co.uk
01420 520510

The UK's Leading Tractor Attachment Supplier



Fully CE Certified

All products comply with EU safety standards and have supporting CE certification



Extended Parts Warranty

All machinery is provided with at least 12-month parts warranty so customers can buy with complete confidence



Quality Customer Support

Advice from our team of experienced engineers with year-round mechanical support and testing in our workshop



Spare Parts

We keep spare parts on the shelf to complement our extensive range of agricultural products



Large Stocks

We stock a variety of attachments in our warehouse. We are continually introducing products to our existing ranges



Delivered Across the UK

As well as local collection from our distributor network, we also offer competitively priced UK pallet delivery

Winton offers a great selection of tractor attachments that are ideal for smallholders, farmers and estate managers.

The high-performance, robust and durable products are ideal for use on smallholdings and estates. All machinery also comes with a 12-month parts warranty so that you can buy with complete confidence and peace of mind! We stock a comprehensive range of spare parts for all our attachments and hold large stocks within the UK.

Our robust range is built upon our core values of upgrading several key components from bearing and gearboxes to blades and belts. All these changes add up to a superior machine. Machines are manufactured specifically to suit compact to medium sized tractors. We offer an extensive range to suit a vast range of tractor sizes.

We have a large distribution network with stockists located UK wide. These range from compact tractor and groundcare specialists to large main tractor dealers from all of the main manufacturers including Iseki, John Deere, Kubota, Massey Ferguson, New Holland, Solis & many more.

We are always happy to welcome new companies to our growing network of distributors, both within and outside of the UK. Please contact us for further details about becoming a distributor. Distributed by Farm Tech Supplies for more than 10 years.



Contents

- | | | | |
|-----|---|-----|-------------------------------|
| 4. | W-TM Topper Mowers | 54. | W-GB Grader Blades |
| 6. | W-FM Finishing Mowers | 55. | W-RB Box Grader Blades |
| 8. | W-FA Compact Flail Mowers | 56. | W-HB Post Hole Borers |
| 10. | W-FB Standard Duty Flail Mowers | 58. | W-TL 1.5tn Tipping Trailer |
| 12. | W-FL Heavy Duty Flail Mowers | 60. | W-TD 3tn Tipping Trailer |
| 14. | W-FLZ Heavy Duty Flail Mowers | 62. | W-TB Tipping Link Boxes |
| 16. | ULM Heavy Duty Flail Mower | 64. | W-PF Pallet Forks |
| 18. | W-HF Hydraulic Side-Shift Flail Mowers | 66. | W-BS Bale Spikes |
| 20. | W-HFZ Hydraulic Side-Shift Flail Mowers | 68. | W-WC Wood Chipper |
| 22. | W-VF Verge Flail Mowers | 70. | W-LS Log Splitters |
| 24. | W-HT Hedge Trimmers | 72. | W-SW Snow Blade |
| 26. | W-AM Flail Hedge Cutters | 74. | W-WB Weight Boxes |
| 28. | W-FS Fertiliser Spreaders | 76. | S-AFL ATV Flail Mower |
| 30. | H-HG Fixed Drag Harrows | 78. | A-FM ATV Finishing Mower |
| 32. | H-HC 3-Way Drag Harrows | 80. | A-TTR ATV Tipping Trailer |
| 34. | H-HF Framed Harrows | 82. | A-GB ATV Grader Blades |
| 36. | W-AR Aerators | 84. | A-LR ATV Landscape Rakes |
| 38. | W-FR Field Rollers | 86. | W-BT Water Bowser Trailer |
| 40. | S-FTL Standard Duty Rotovators | 88. | Spare Parts |
| 42. | W-RT Heavy Duty Rotovators | 90. | Dealer Network & Social Media |
| 44. | W-SB Stone Buriers | | |
| 46. | W-PH Power Harrows | | |
| 48. | W-RP Ripper & Pipe Layer | | |
| 50. | W-SRP Reversible Single Furrow Plough | | |
| 51. | W-PH5 Potato Harvester | | |
| 52. | W-LB Land Leveller | | |
| 53. | W-LR Landscape Rakes | | |



W-TM Topper Mower

The Ultimate Weed Slasher



Height-adjustable skids for optimal control

Low maintenance and simple to operate

Shear-bolt PTO shaft for enhanced safety

Adjustable cutting-height range of 6-20cm

Multiple A-frame positions

Direct drive blades

W-TM





Applications

- ▶ Equestrian
- ▶ Pasture
- ▶ Brambles & weed control
- ▶ Overgrown areas
- ▶ Smallholdings

Specifications

Model No	W-TM110	W-TM140	W-TM160	W-TM180K
Cutting width	110cm	140cm	160cm	180cm
HP range	16-25	23-40	25-50	30-60
Weight	175kg	205kg	220kg	385kg
RRP (exc VAT)	£825	£934	£1,018	£1,469
Service Pack (exc VAT)	+ £80.53			



Ideal for cutting a variety of grasses, scrub and saplings in pasture and paddock areas. Perfect for use on smallholdings with horses. Fully adjustable skids for regulating cutting height.

Suitable for most compact and small tractors. All of our topper mowers are supplied complete with a shear bolt protected PTO shaft.

W-FM Finishing Mower

The Lawn Care Hero



Height-adjustable wheels for a 3.5-8cm cut	Easy access grease points
Floating linkage for contours & gradients	Rear-style discharge to disperse clippings
Link extensions avoid fouling tractor wheels	Drive-belt tensioning

W-FM





W-FM180K

Applications

- ▶ Lawns
- ▶ Sports pitches
- ▶ Parks
- ▶ Campsites
- ▶ Golf courses

Specifications

Model No	W-FM120	W-FM150	W-FM180K
Cutting width	120cm	150cm	180cm
HP range	16-30	20-45	25-55
Weight	178kg	187kg	202kg
RRP (exc VAT)	£1,050	£1,202	£1,351
Roller Kit Add On (exc VAT)	+ -	£663	£697
Service Pack (exc VAT)	+ £94.53	£105.53	£113.53
Mulching Blades (3) (exc VAT)	£48.00	£51.00	£66.00



This mower is best suited to level areas of regularly maintained grass. The three rotary blades create a precision finish, and height-adjustable wheels help to stabilise and leave an even cut.

The Winton finishing mower range offers a close cut. We recommend it for use on lawns, campsites and sports fields. Images may vary from design.

W-FA Flail Mower

The Narrow Y-Blade Cutter



Budget-friendly flail mower option	Narrow design for vineyards & orchards
Spirally arranged blades for an efficient cut	Adjustable cutting-height range of 2.5-7cm
Y blades for lighter overall weight to suit sub-compact tractors	Adjustable positioning for skids & roller

W-FA





Applications

- ▶ Orchards & vineyards
- ▶ Allotments
- ▶ Pasture & paddocks
- ▶ Smallholdings
- ▶ General weed control

Specifications

Model No	W-FA085	W-FA105
Cutting width	85cm	105cm
HP range	12-20	15-25
Weight	136kg	158kg
RRP (exc VAT)	£898	£944
Set of 5 Blade Pairs (exc VAT)	+	£32.50
Service Pack (exc VAT)	+	£99.03



These models are perfect for narrow or sub-compact tractors of 12hp and up. The compact flail has lighter Y-blades and a lightweight body for lower horse-power tractors. This flail mower is belt driven with the Y-type flails mounted spirally on the rotor for an efficient cut.

Suitable for cutting pasture and paddock area and general maintenance. Ideal for maintaining grasses of various lengths and thicknesses.

W-FB Flail Mower

The Essential Paddock Flail



Multiple blades on rotor for mulching	Adjustable positioning for skids
Adjustable rear roller	Belt driven blade rotor
Hammer flail blades	Adjustable cutting-height range of 3-8cm

W-FB





Applications

- ▶ Pasture & paddocks
- ▶ Orchards & vineyards
- ▶ Sports pitches
- ▶ Gardens & campsites
- ▶ General weed control

Specifications

Model No	W-FB105	W-FB125	W-FB145
Offset from centre	430 — 590	600 — 660	615 — 805
Cutting width	105cm	125cm	145cm
HP range	16-25	16-35	25-40
Weight	182kg	202kg	222kg
RRP (exc VAT)	£1,173	£1,273	£1,382
Set of 5 Blades (exc VAT)		+ £45.00	
Service Pack (exc VAT)		+ £97.78	



This range offers a robust build for larger sub-compact and compact tractors. These models are great for smallholders and perfect for cutting through overgrown paddocks, longer grass, brambles and weeds. Multiple hammer blades on the rotor creates fine cuttings.

The multiple flail blade layout will also leave a fine lawn finish if regular cutting is performed, leaving mulched grass cuttings.

W-FL Flail Mower

The All-Round Cutter



Robust heavy-duty gearbox	Adjustable positioning for skids
Spirally arranged hammer blades	Belt-driven blade rotor
Heavy hammer blades	Adjustable cutting-height range of 3-8cm

W-FL





Applications

- ▶ Overgrown fields
- ▶ Pasture & paddocks
- ▶ Orchards & vineyards
- ▶ Campsites & parks
- ▶ Bramble & weed control

Specifications

Model No	W-FL125	W-FL145	W-FL175
Offset from centre	430 — 790	615 — 805	715 — 1005
Cutting width	125cm	145cm	175cm
HP range	20-40	25-50	30-55
Weight	238kg	252kg	338kg
RRP (exc VAT)	£1,640	£1,749	£1,915
Set of 5 Blades (exc VAT)		+ £45.00	
Service Pack (exc VAT)		+ £114.03	



These flail mowers are great all-rounders for a wide range of applications thanks to their robust design.

The heavy hammer blades are perfect for cutting tough brambles and longer grass. The spiral blade layout will also leave a lawn finish if regular cutting is undertaken. The W-FL range is fitted with heavier gearboxes and blades, creating a robust and versatile machine.

W-FLZ Flail Mower

The All-Round Cutter Upgraded



Robust heavy-duty gearbox	Adjustable positioning for skids
Spirally arranged hammer blades	Openable rear door
Heavy hammer blades	Adjustable cutting-height range of 3-8cm

W-FLZ








Applications

- ▶ Overgrown fields
- ▶ Pasture & paddocks
- ▶ Orchards & vineyards
- ▶ Campsites & parks
- ▶ Bramble & weed control

Specifications

Model No	W-FL125Z	W-FL145Z	W-FL175Z
Offset from centre	430  790	615  805	715  1005
Cutting width	125cm	145cm	175cm
HP range	20-40	25-50	30-55
Weight	256kg	270kg	356kg
RRP (exc VAT)	£1,740	£1,849	£2,015
Set of 5 Blades (exc VAT)		+ £45.00	
Service Pack (exc VAT)		+ £114.03	



These flail mowers are great all-rounders for a wide range of applications thanks to their robust design. The new model incorporates an openable rear door to improve efficiency.

The heavy hammer blades are perfect for cutting tough brambles and longer grass. The spiral blade layout will also leave a lawn finish if regular cutting is undertaken. The W-FLZ range is fitted with heavier gearboxes and blades, creating a robust and versatile machine.

ULM230 Heavy-Duty Flail Mower

Category II Linkage



Robust heavy-duty gearbox	540 & 1,000rpm operating speeds
Spirally arranged hammer blades	4 belt-driven blade rotor
Heavy hammer blades	Adjustable cutting-height range of 4.5-13.5cm

ULM230





Applications

- ▶ Overgrown fields
- ▶ Pasture & paddocks
- ▶ Campsites & parks
- ▶ Bramble & weed control

Specifications

Model No	ULM230
Cutting width	230cm
HP range	48+
Weight	780kg
RRP (exc VAT)	£5,500



The ULM230 is fantastically heavy-duty and thanks to its impressive working width, this flail has great coverage to get the job done in record time. The reinforced linkage frame and body make this a very robust mower.

W-HF Flail Mower

The Effortless Offset Cutter



Robust heavy-duty gearbox	Adjustable positioning for skids
Spirally arranged blades	Hydraulic offset A-frame as standard
Heavy hammer blades	Adjustable cutting-height range of 3-8cm

W-HF





Applications

- ▶ Pasture & paddocks
- ▶ Orchards & vineyards
- ▶ Campsites
- ▶ Wooded areas
- ▶ Solar farms

Specifications

Model No	W-HF125	W-HF145	W-HF175	W-HF200	W-HF220
Offset from centre	690 560 390 880	775 645 455 975	960 760 675 1045	960 1000 675 1285	1045 1115 775 1385
Cutting width	125cm	145cm	175cm	200cm	220cm
HP range	20-40	25-50	30-55	35-60	40-70
Weight	310kg	322kg	350kg	451kg	466kg
RRP (exc VAT)	£1,938	£2,101	£2,272	£2,499	£2,703
Service Pack (exc VAT)	+ £114.03			+ £128.02	



W-HF flail mowers share the same specifications as the W-FL range with the addition of a hydraulic side-shift function. This is achieved through the hydraulics of the tractor and enables the movement of the mower into awkward areas.

This attachment is ideal for those with tractor hydraulics who do not want the effort of manually adjusting the offset position of the mower. Requires one double-acting hydraulic pool to operate.

W-HFZ Flail Mower

The Effortless Offset Cutter Upgraded

W Winton

Robust heavy-duty gearbox	Adjustable positioning for skids
Spirally arranged blades	Hydraulic offset A-frame as standard
Heavy hammer blades	Adjustable cutting-height range of 3-8cm

W-HFZ





Applications

- ▶ Pasture & paddocks
- ▶ Orchards & vineyards
- ▶ Campsites
- ▶ Wooded areas
- ▶ Solar farms

Specifications

Model No	W-HF125Z	W-HF145Z	W-HF175Z	W-HF200Z	W-HF220Z
Offset from centre	690 560 390 880	775 645 455 975	960 760 675 1045	960 1000 675 1285	1045 1115 775 1385
Cutting width	125cm	145cm	175cm	200cm	220cm
HP range	20-40	25-50	30-55	35-60	40-70
Weight	328kg	340kg	368kg	469kg	484kg
RRP (exc VAT)	£2,038	£2,201	£2,372	£2,599	£2,903
Service Pack (exc VAT)		+ £114.03		+ £128.02	



W-HFZ flail mowers share the same specifications as the W-FL range with the addition of a hydraulic side-shift function. This is achieved through the hydraulics of the tractor and enables the movement of the mower into awkward areas.

This attachment is ideal for those with tractor hydraulics who do not want the effort of manually adjusting the offset position of the mower. Requires one double-acting hydraulic pool to operate.

W-VF Verge Flail Mower

The Versatile Verger



Tilt 90° up & 40° down	Flail head cuts outside the tractor wheelbase
Left-hand offset new for 2026	Hydraulically adjustable head positioning
Hammer flail blades	Adjustable roller for cut height of 2-7cm

W-VF





Applications

- ▶ Tricky verges
- ▶ Sides of low hedges
- ▶ Ditches & gulleys
- ▶ Orchards & vineyards
- ▶ Smallholdings & campsites

Specifications

Model No	W-VF125	W-VF145
Cutting width	125cm	145cm
HP range	20-40	25-45
Weight	264kg	336kg
RRP (exc VAT)	£2,407	£2,515
Service Pack (exc VAT)	+ £112.78	



This mower is perfect for cutting verges, ditches and low hedges. Winton verge flail mowers have hydraulically operated offset cutting heads perfect for various areas and materials.

This model has full upwards vertical movement for low hedges and partial downwards tilt for ditch and verge cutting. Requires two double-acting hydraulic spools to operate.

W-HT Hedge Trimmer

The Hedge Tidying Cutter



Wireless control module	Trimmer bar for cleaner hedge finish
Forward offset head for optimal control	Hydraulically adjustable head positioning
PTO-driven hydraulic pump	Cab or safety mesh preferred

W-HT



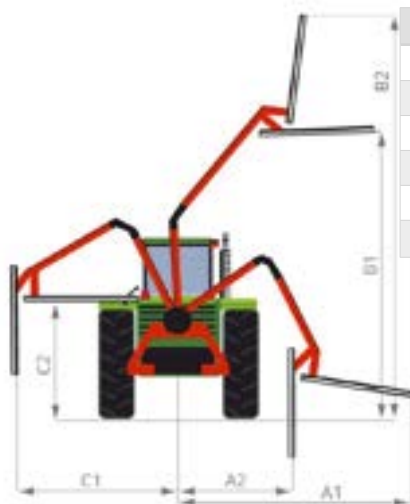


Applications

- ▶ Hedge tops & sides
- ▶ Sloped verges
- ▶ Smallholdings & estates
- ▶ Campsites
- ▶ Amenities & parks

Specifications

Model No	W-HT130RCF	W-HT160RCF	W-HT190RCF
Cutting width	130cm	160cm	190cm
HP range	20+		
Weight	298kg	308kg	318kg
RRP (exc VAT)	£4,285	£4,385	£4,495



	W-HT130RCF	W-HT160RCF	W-HT190RCF
A1	435cm	465cm	495cm
A2	130cm		
B1	360cm		
B2	548cm	578cm	608cm
C1	326cm		
C2	100cm		

This is a precision trimmer which does not need to connect to the tractor's hydraulics as it has a PTO powered hydraulic pump. Perfect for pruning hedges with a maximum diameter 2-3 cm. For Cat 1 or 2 tractors with a cab or safety mesh.

All our models offer the forward offset feature which can move the trimmer bar in line with the operator for greater control & visibility.

All models are also supplied with wireless control.

W-AM Flail Hedge Cutter Winton

The Hedge Cut-Back Hero

Lever control or remote control	Adjustable positioning for roller
Reversible flail direction	PTO-driven requiring no tractor hydraulics
Rotor with Y flail blades	Cab or safety mesh preferred

W-AM

New For 2026
Wireless Control
Now Available



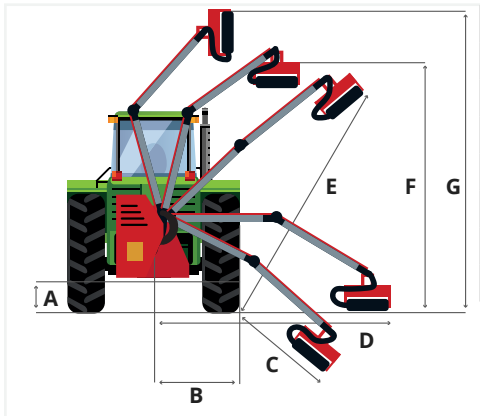


Applications

- ▶ Hedge tops and sides
- ▶ Tricky verges
- ▶ Paddocks & pasture
- ▶ Ditches & gulleys
- ▶ Bridlepaths

Specifications

Model No	W-AM080	W-AM080RC	W-AM100	W-AM100RC
Cutting width	80cm		100cm	
Controls	Cable	Wireless	Cable	Wireless
HP range	25+			
Weight	275kg		300kg	
RRP (exc VAT)	£4,995	£5,125	£5,250	£5,375



	80cm Models	100cm Models
A - Lower linkage height	28cm	
B - Top link-outer wheel	70cm	
C - Downwards reach	200cm	220cm
D - Horizontal reach	275cm	290cm
E - Diagonal reach	310cm	340cm
F - Horizontal cut height	185cm	195cm
G - Vertical cut height	330cm	350cm

Measurements based on Solis 26 (2018 model) with industrial tyres.

The cutting head is fitted with Y-style flail blades. The hedge cutter has a PTO-driven hydraulic pump and is recommended for tractors with a cab or safety mesh and suitable weights.

W-FS Fertiliser Spreader

The Multi-Purpose Spreader

W Winton

Stainless steel dish and vanes	Easy feed-rate
Adjustable spreading	Deflector kit aids efficient salt-spreading
4 adjustable vanes for even distribution	Agitator kit aids even distribution

W-FS





Applications

- ▶ Paddock maintenance
- ▶ Fertiliser spreading
- ▶ Winter maintenance
- ▶ Sand & seed broadcasting

Specifications

Model No	W-FS250	W-FS500
Capacity	240L	385L
HP range	20+	
Weight	56kg	63kg
RRP (exc VAT)	£540	£617
Cover Add On (exc VAT)	+ £125.00	
Deflector Add On (exc VAT)	+ £200.00	
Agitator Add On (exc VAT)	+ £40.00	

+



+



+



The Winton PTO Spreader has a sturdy build which makes it the ideal implement for smallholders. The hopper is made in one piece for extra strength, while the disc and vanes are manufactured in stainless steel for increased longevity.

The spreader is made for distributing dry fertiliser and seeds, but with the deflector Kit upgrade it can also be used for salt or sand. PVC covers are available in both sizes.

H-HG Drag Harrows

The Fixed Grass Harrow



Budget style harrow bed	British made harrows
Ring hitch for ATVs, tractors and vehicles	Simple to fit and operate
Tine diameter ½"	Fixed tines for aggressive action

H-HG



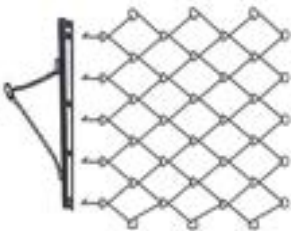


Applications

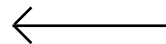
- ▶ Grass aeration
- ▶ Levelling mole hills
- ▶ Spreading muck & manure
- ▶ Conditioning pasture & paddocks
- ▶ Smoothing & rejuvenating

Specifications

Model No	H-HG04	H-HG05	H-HG06	H-HG08
Working width	120cm	150cm	180cm	240cm
Tine type	Fixed			
Weight	37kg	44kg	51kg	68kg
RRP (exc VAT)	£253	£309	£396	£493



Preferred Direction of Pull



The single direction tines give a fixed harrow style. It is great for levelling mole hills, to spread manure and aerate soil in fields. The grass harrow has a reduced number of tines on the bed for a lighter weight and budget friendly harrow.

These harrows are manufactured in Britain from high quality carbon steel. With a simple ring hitch, the harrows are suitable for tractors, ATVs and 4x4s.

H-HC Drag Harrows

The 3-Way Towed Harrow



3 way tines for varied actions	British made harrows
Ring hitch for ATVs, tractors and vehicles	Simple to fit and operate
Tine diameter ½"	5ft deep harrow bed

H-HC



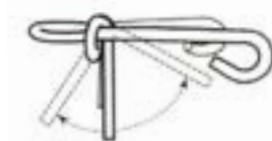


Applications

- ▶ Grass aeration
- ▶ Levelling mole hills
- ▶ Spreading muck & manure
- ▶ Conditioning pasture & paddocks
- ▶ Smoothing & rejuvenating

Specifications

Model No	H-HC04	H-HC05	H-HC06	H-HC08
Working width	120cm	150cm	180cm	240cm
Tine type	3 way			
Weight	50kg	60kg	79kg	97kg
RRP (exc VAT)	£324	£408	£514	£642



Tine Action

The 3 way harrow tines give an aggressive harrow, levelling and aerating the soil. They can be turned around for a slightly less vigorous harrow to spread manure etc. Finally, a light harrowing when upturned, which is ideal for smoothing a variety of surfaces.

The harrows are manufactured in Britain from high quality carbon steel. With a simple ring hitch, the harrows are suitable for tractors, ATVs and 4x4s.

H-HF Framed Harrows

The 3-Way Versatile Harrow



3 way tines for varied actions	British made harrows
3 point linkage for compact tractors	Simple to operate & manoeuvre
Tine diameter ½"	5ft deep paddock harrow bed

H-HF



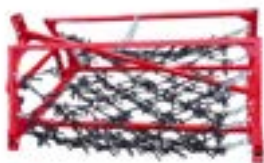


Applications

- ▶ Grass aeration
- ▶ Levelling mole hills
- ▶ Spreading muck & manure
- ▶ Conditioning pasture & paddocks
- ▶ Smoothing & rejuvenating

Specifications

Model No	H-HF04	H-HF06	H-HF08	H-HF12
Working width	120cm	180cm	240cm	360cm
Tine type	3 way			
Weight	125kg	155kg	170kg	215kg
Frame type	Fixed	Folds to 4ft		
RRP (exc VAT)	£755	£1,100	£1,238	£1,636



Tine Action

The 3 way harrow tines give an aggressive harrow, levelling and aerating the soil. They can be turned around for a slightly less vigorous harrow to spread manure etc. Finally, a light harrowing when upturned, which is ideal for smoothing a variety of surfaces.

The folding frame allows the harrow to fit through gateways and is easy to transport between fields. With a 3 point linkage, the harrows are suitable for a range of tractors.

W-AR Aerators

The Aeration Hero



Blade locking system	Painted heavy duty frame and storage stand
Double sided grounds care blades	Protective skids around the bearings
Blades in a spiral for smooth aeration	Working depth of 18cm

W-AR



Applications

- ▶ Smallholdings
- ▶ Lawns
- ▶ Campsites
- ▶ Parks & grassland
- ▶ Sports Pitches



Specifications

Model No	W-AR05	W-AR06
Max. working depth	18cm	
No. of blades	24	
Weight	235kg	
HP range	22+	30+
Weight	235kg	
RRP (exc VAT)	£2,208	£2,738
Roller Upgrade (exc VAT) +	£625	£657



The aerator relieves compacted soil and promotes root growth to improve grass quality and health. Regular use also improves drainage, to prevent boggy ground.

The three-pointed blades pierce the soil with minimal disruption to the grass itself. It includes a carrying rack for extra weights, which along with the rotor angle can be adjusted to better suit the terrain.

W-FR Field Roller

The Rock 'n' Roller



Adaptable hitch for variety of vehicles

Ballast drum easily filled and drained

Robust construction

Easy to fit and operate

W-FR





Applications

- ▶ Smallholdings
- ▶ Lawns
- ▶ Campsites
- ▶ Parks & grassland
- ▶ Sports Pitches

Specifications

Model No	W-FR04	W-FR05	W-FR06	W-FR07
Working width	122cm	152cm	182cm	212cm
Overall width	136cm	166cm	196cm	226cm
Weight	170kg	210kg	245kg	275kg
Laden weight	410kg	515kg	610kg	715kg
RRP (exc VAT)	£1,094	£1,242	£1,313	£1,391



The W-FR field roller is ideal for levelling paddocks or sports pitches after topping or harrowing. The rollers attach to a range of smaller tractors with a simple pin hitch, but a ball hitch adaptor is also available for ATVs and 4x4 vehicles.

For best results, the rollers can be filled with fluid until they reach the perfect weight for the desired effect.

S-FTL Rotovator

The Compact Decompactor



Budget-friendly rotary tiller	Maximum tilling depth of 9cm
Height adjustable skids for tilling depth	Rear flap/guard adjustable for smooth finish
Suitable for compact tractors	Simple to fit and operate

S-FTL





Applications

- ▶ Smallholdings
- ▶ Allotments & market gardens
- ▶ Landscaping
- ▶ Vineyards
- ▶ Soil preparation for planting & seeding

Specifications

Model No	S-FTL105	S-FTL125	S-FTL155
Working width	105cm	125cm	155cm
HP range	15-22	20-30	25-40
Weight	195kg	210kg	295kg
RRP (exc VAT)	£1,200	£1,288	£1,403
PTO Slip Clutch Upgrade (exc VAT)		+ £50.00	



Rotary tillers are ideal for tilling and levelling the ground. These machines break up compacted soil ready for planting. The skids are adjustable for flexible tilling depth, and the rear flap creates a smooth, level finish on the tilled soil.

The S-FTL rotovator is a great standard-use tiller. It can be used for cultivating soil in vegetable gardens and allotments ready for planting.

Colour of machine may vary (green or red).

W-RT Rotovator

The Heavier-Duty Tiller



Sprocket-driven for maximum power transfer	Maximum tilling depth of 15cm
Robust heavy-duty gearbox	Rear guard easily adjustable
Wide blades for longevity	Adjustable skids for versatile use

W-RT





Applications

- ▶ Smallholdings
- ▶ Allotments & market gardens
- ▶ Estates
- ▶ Landscaping
- ▶ Soil preparation for planting & seeding

Specifications

Model No	W-RT125	W-RT150
Working width	125cm	150cm
HP range	25-40	30-55
Weight	285kg	320kg
RRP (exc VAT)	£1,916	£2,046
PTO Slip Clutch Upgrade (exc VAT)	+ £50.00	



The Winton W-RT rotovators are heavier-duty options for compact tractors. This is thanks to their powerful gearbox and sturdy frame.

This heavier rotovator range offers a greater tilling depth than other standard lighter-use equivalents, ideal for breaking up heavier soils, such as clay. The rear flap creates a smooth level finish on the newly cultivated soil.

W-SB Stone Burier

The Seed Bed Hero



Rear mesh roller for quality finish	Maximum tilling depth of 12cm
Robust heavy-duty gearbox	Easily adjustable roller position
Even soil distribution	Optional seeder attachment available

W-SB





W-SS

Applications

- ▶ Soil preparation for seeding & planting
- ▶ Smallholdings
- ▶ Allotments & market gardens
- ▶ Landscaping
- ▶ Surface re-dressing

Specifications

Model No	W-SB105	W-SB125	*W-SS105	*W-SS125
Working width	105cm	125cm	105cm	125cm
HP range	20-28	25-30	20-28	25-30
Weight	330kg	355kg	373kg	406kg
RRP (exc VAT)	£1,743	£1,834	£2,242	£2,353
PTO Slip Clutch Upgrade (exc VAT)	+ £50.00			



W-SB stone buriers rotovate the soil up to 12cm depth, burying stones and debris whilst also levelling the ground in one pass for a smooth new seed bed. The heavier stones and other debris are placed underneath the lighter, tilled soil which then lays on top.

The roller section runs over behind the blades and levels the tilled soil, leaving the area ready for seeding. For heavy or clay soil, a smaller model may be required and the blades may need cleaning after each run. Not suitable for rubble or builders waste.

*A seeder option is available - see W-SS models. Prices include machine and seeder bucket. Picture may vary.

W-PH Power Harrow

The Landscaper's Choice



Blades designed for maximum aeration	Maximum tilling depth of 15cm
Separate blade carriers for better efficiency	Rear mesh roller for smooth finish
Shear bolt PTO shaft for enhanced safety	Even soil distribution

W-PH





Applications

- ▶ Smallholdings
- ▶ Allotments & market gardens
- ▶ Landscaping
- ▶ Aeration of soil
- ▶ Minimum soil disruption

Specifications

Model No	W-PH130	W-PH170
Working width	130cm	170cm
HP range	25-40	36-60
Weight	274kg	345kg
RRP (exc VAT)	£2,105	£2,239
PTO Slip Clutch Upgrade (exc VAT)	+ £50.00	



These power harrows are designed for less stony/rocky areas with no grass and are essential for aerating the ground. This enables the soil to gain warmth quicker and drain better so that planted materials can grow in healthier conditions.

The steel blades aggressively churn the soil and evenly distribute it over the whole working width. The roller gently levels off the aerated soil to create a perfect seedbed.

W-RP01 Ripper & Pipe Layer

The Magnificent Multi-tool



Unintrusive cable laying

Reversible and replaceable blade

Extremely cost and time efficient

Detachable pipe layer section

Allows flexible pipe up to 4.5cm diameter

Maximum ripping depth of 60cm

W-RP





Applications

- ▶ Smallholdings
- ▶ Paddocks or pasture
- ▶ Allotments & market gardens
- ▶ Landscaping

Specifications

Model No	W-RP01
Blade length	30cm
HP range	15-35
Weight	45kg
RRP (exc VAT)	£323



The ripper and pipe layer is ideal for laying flexible pipe or cable. This attachment benefits from being quick and simple to fit and operate to most tractors with a category I linkage, causing minimum ground disruption.

The ripper can reach a maximum of 24 inches underground, though the actual achieved depth will depend on the tractor and soil type. The maximum diameter for the pipe or cable is 45mm for the Winton W-RP01. For a demonstration, please see the video on our website.

W-SRP25 Reversible Single Furrow Plough

The Compact Plough



Adjustable tilt and depth	Detachable and replaceable blades
Gauge wheel for easy depth adjustment	Small size allows ploughing close to tree line
Suits sub-compact and compact tractors	Additional welded frame for increased strength



Applications

- ▶ Smallholdings
- ▶ Allotments & market gardens
- ▶ Arable fields
- ▶ Landscaping

Specifications

Model No	W-SRP25
HP range	25+
Weight	108kg
RRP (exc VAT)	£788



The narrow design allows for working close to the tree line without disturbing saplings. The tilt and depth can be easily adjusted via the gauge wheel to maximise versatility. This implement is ideal for a compact tractor.

The plough has a short arm with an additional welded frame. This gives it a reinforced frame which can handle even thick clay soils.

W-PH500 Potato Harvester

Spuds Are Done



Full plots dug up quickly	Adjustable digging depth
Extremely cost and time efficient	Useable on other crops
Easy to fit & operate	Simple effective design

Applications

- ▶ Smallholdings
- ▶ Allotments & market gardens
- ▶ Paddocks or pasture
- ▶ Landscaping

Specifications

Model No	W-PH500
HP range	15+
Weight	120kg
RRP (exc VAT)	£1,046



Why not save the back pain and time, the potato digger utilises a blade and bed of tines to bring the potatoes to the surface. The machine consists of a vibrating ploughshare, with adjustable digging depth, that transfers potatoes and soil onto the vibrating tines which sift the potatoes from the soil. The potatoes are then left in a neat row.

W-LB Land Levellers

The Smooth Operator



Very low maintenance	Reversible head stock for a smooth pass
Heavy duty rigid frame	One reversed blade for a smooth finish
Three forward-facing aggressive blades	Fully painted



Applications

- ▶ Tracks and driveways
- ▶ Sand menages
- ▶ Estates
- ▶ Landscaping

Specifications

Model No	W-LB5	W-LB6
Working width	150cm	180cm
HP range	20+	25+
Weight	87kg	101kg
RRP (exc VAT)	£523	£625



"Great company and very helpful. The product was good quality and we had prompt delivery. Would certainly use again."

- James, Buckinghamshire

The Winton land leveller is a highly effective piece of equipment for land reclamation and creating a smooth surface. This implement can be easily reversed for levelling sand menages, horse gallops and drives to a smooth finish.

The three front-facing blades give an aggressive scraping, followed by one reversed blade which leaves a smooth finish.

W-LR Landscape Rakes

The Top Tidier



Robust heavy-duty frame	Adjustable offset positions
Head can be angled or reversed for control	Heavy-sprung steel tines
Suitable for small or compact tractors	Simple to fit and operate

Applications

- ▶ Tidying smallholdings
- ▶ Allotments & market gardens
- ▶ Estates
- ▶ Spreading landscaping materials

Specifications

Model No	WLR5	WLR6
Working width	150cm	180cm
Adjustment angle	360°	
HP range	20-45	25-55
Weight	126kg	185kg
RRP (exc VAT)	£664	£810



This attachment is perfect for aerating and weeding. The head can be angled or reversed for better control in more awkward-to-reach areas. It is primarily designed for levelling and spreading of soil, chippings, shingle and gravel.

The sprung tines will also collect cut grass, debris and stones from paddock areas. The tines offer a scarifying effect whilst they collect material.

W-GB Grader Blades

The Great Leveller



360° pivot	Reinforced design for strength and reliability
Toughened steel blade	Blade easily replaceable
Suits small and compact tractors	Simple to fit and operate



W-GB

Applications

- ▶ Smallholdings
- ▶ Drives and tracks
- ▶ Equestrian centres
- ▶ Landscaping

Specifications

Model No	W-GB05H	W-GB06H
Width	150cm	180cm
HP range	14-35	18-50
Weight	62kg	76kg
RRP (exc VAT)	£537	£587



"Absolutely brilliant supplier, very helpful with my back and forth questions and super-fast delivery by courier."

- Ian, Lincolnshire

With a toughened steel blades which can pivot 360°, the Winton grader blade is a highly versatile attachment for levelling a wide range of surfaces. It is ideal for flattening tracks, sand menages or freshly tilled ground.

The manual pivot allows the user to level even the narrowest and most awkward areas to a fine finish.

W-RB Box Grader

A Grade Above



Robust heavy-duty tines	Height-adjustable tines for depth control
Simple to fit and operate	Reversible and replaceable blades
Reinforced A-frame	Promotes soil aeration and drainage

Applications

- ▶ Allotments & market gardens
- ▶ Estates
- ▶ Landscaping
- ▶ Driveway maintenance

Specifications

Model No	W-RB04	W-RB05	W-RB06
Width	120cm	150cm	180cm
No. of tines	4	5	6
HP range	16+	20+	25+
Weight	190kg	250kg	310kg
RRP (exc VAT)	£645	£718	£787



Box graders are designed for levelling ground and tracks. The height-adjustable ripper tines are perfect for ripping the soil to a variety of depths. Alternatively, the tines can be set at the highest point or removed to use the implement as a grader blade.

The scarifying effect of the tines is vital for breaking up clumps for better drainage and healthier soil, while the grader blade levels the surface afterwards.

W-HB Post Hole Borers

The Essential Auger



Reinforced framework	Gravity levelling auger
Simple to fit and operate	Interchangeable auger bits
Replaceable blades and auger tips	Maximum depth 90cm

W-HB





Applications

- ▶ Fencing smallholdings
- ▶ Paddocks and fields
- ▶ Estates
- ▶ Post boring for landscaping
- ▶ Equestrian centres

Specifications

Model No	W-HBF	W-HB-A04	W-HB-A06	W-HB-A09	W-HB-A12
Auger width	Frame, Gearbox & PTO Shaft	4 inches	6 inches	9 inches	12 inches
HP range	20-50				
Weight	128kg	13kg	15kg	19kg	24kg
RRP (exc VAT)	£734	£145	£155	£165	£175



The Winton post hole borers are ideal for installing fencing around paddocks and fields. The implement is quick and simple to fit and operate. The borers can drill holes up to 3 feet deep.

The attachment is supplied complete with an auger in the size of your choosing, a heavy-duty gearbox and reinforced framework. Replacement blades, tips and augers are available.

W-TL 1.5tn Tipping Trailer

The Tidy Transporter



Removeable side and rear panels	1.5 tonne maximum loading capacity
Turf tyres to reduce tread marks	Independent hand brake
Clevis hitch fitting	Adjustable jockey stand

W-TL





Applications

- ▶ Smallholdings
- ▶ Paddocks and fields
- ▶ Estates
- ▶ Allotments & market gardens
- ▶ Equestrian centres

Specifications

Model No	W-TL15
Internal dimensions	120 x 180 x 35cm
Tractor HP	14-40
Weight	330kg
RRP (exc VAT)	£1,925
Mesh sides (exc VAT)	+ £595



This tipping trailer is perfect for moving a wide range of items. It is fitted with turf tyres so tread marks left in the grass are reduced. The trailers require a single-acting hydraulic spool on the tractor to operate the upward lift on the trailer.

It is ideal for moving logs, muck, hay and plants around any estate or smallholding. This model is not designed for use on British roads.

Various colour options may be available, please contact our sales department for details.

W-TD 3tn Tipping Trailer

The Heavy Lifter



Removeable side and rear panels	3 tonne maximum loading capacity
Turf tyres to reduce tread marks	Optional light kit
Clevis hitch fitting	Adjustable jockey stand

W-TD





Applications

- ▶ Smallholdings
- ▶ Paddocks and fields
- ▶ Estates
- ▶ Allotments & market gardens
- ▶ Equestrian centres

Specifications

Model No	W-TD30
Internal dimensions	164 x 410 x 130cm
Tractor HP	30+
Weight	605kg
RRP (exc VAT)	£3,644
Mesh sides (exc VAT)	+ £911



The Winton dropside trailer can carry an impressive 3tn of just about anything, from manure, hay and plants, to wood, paving slabs and gravel. Despite this capacity, the turf tyres ensure that minimal damage is caused to the grass.

The side and rear panels can be removed, or mesh sides added for enhanced versatility, making it an essential for the busy smallholder.

Various colour options may be available, please contact our sales department for details.

W-TB Tipping Link Boxes

The Robust Transport Box



Manual tipping lever for easy use	Welded side panels for increased strength
Suitable for small or compact tractors	Reinforced structure
Robust & durable	Removeable sides for scoop loading

W-TB





Applications

- ▶ Smallholdings
- ▶ Forestry
- ▶ Landscaping
- ▶ Allotments & market gardens
- ▶ Equestrian centres

Specifications

Model No	W-TB120	W-TB150
Internal width	112cm	142cm
External width	120cm	150cm
Max. load	500kg	
Weight	91kg	102kg
RRP (exc VAT)	£530	£583



The Winton tipping link box benefits from its welded structure, giving it increased strength and durability. The rear panel can be removed by undoing the latches on either side, allowing the box to be used as a scoop for loading softer materials.

The tipping lever is operated manually, meaning that this attachment requires very little maintenance.

W-PF Pallet Forks

The Robust Transport Box



Sturdy steel forks provide a sturdy base	Adjustable or fixed track width available
Low maintenance due to no moving parts	Sturdy welds for increased strength
Simple to fit and operate	Load is distributed over 3 points

W-PFA





Applications

- ▶ Smallholdings
- ▶ Estates
- ▶ Equestrian centres
- ▶ Landscaping
- ▶ Livery yards

W-PF

Specifications

Model No	W-PF500	W-PF750	W-PFA300	W-PFA700
Load capacity	500kg	750kg	300kg	700kg
HP range	14-35	25-70	14-35	25-70
Tines	Fixed		Adjustable	
Working width	72cm	86cm	10cm - 65cm	27cm - 78cm
Weight	35kg	57kg	45kg	110kg
RRP (exc VAT)	£336	£406	£309	£675



Our W-PF pallet forks have a fixed structure, making them very robust, as well as offering great value for money. The lack of moving parts also means that they are very low maintenance.

Our W-PFA adjustable pallet forks are incredibly versatile thanks to their adjustable fork tines. They can be folded up for easier storage and transport when not in use. Their adjustment allows for carrying pallets in multiple sizes with ease.

The forks are made from solid steel for increased strength and tapered ends for easy loading.

W-BS Bale Spikes

The Hay Heavy-Weights



Sturdy steel forks provide a sturdy base	Adjustable or fixed track width available
Low maintenance due to no moving parts	Sturdy welds for increased strength
Simple to fit and operate	Load is distributed over 3 points

W-BS01





W-BS03

Applications

- ▶ Smallholdings
- ▶ Estates
- ▶ Equestrian centres
- ▶ Paddocks & fields
- ▶ Livery yards

Specifications

Model No	W-BS01	W-BS02	W-BS03H
Load capacity	450kg	1,000kg	
HP range	20-50	30+	
Bale type	Round		Heston
Mounting options	3 point linkage	3 point linkage & EURO 8	
Weight	35kg	70kg	78kg
RRP (exc VAT)	£262	£328	£530



The Winton bale spikes are simple 3-point linkage attachments for transporting hay, straw and silage bales. The W-BS01 is suitable for compact tractors with a lower linkage width of minimum 85cm, while the other two options are suitable for larger linkages, whether they require a Euro bracket or a 3-point linkage.

The W-BS01 model is rear-mounted and suitable for smaller round bales. The W-BS02 is ideal for round bales, whereas the W-BS03H is ideal for square Heston bales. The latter two can be rear-mounted or attached to Euro front-loader brackets.

W-WC Wood Chipper

The Branch Buster



360° output chute for precision control

Shear bolt PTO shaft for enhanced safety

Reversible cutting blades for longevity

Low maintenance

Direct drive blades

5" maximum branch diameter

W-WC





Applications

- ▶ Smallholdings
- ▶ Estates
- ▶ Parklands
- ▶ Woodlands
- ▶ Gardens

Specifications

Model No	W-WC
Max. chipping width	5 inches
HP range	14-48
Feed type	Manual
Weight	195kg
RRP (exc VAT)	£1,479



The Winton wood chipper is a versatile machine that makes the perfect addition to any smallholding, estate or parkland. It is useful for clearing woodlands of smaller branches and turning them into handy wood chips.

The heavy-duty and highly resilient steel frame makes this wood chipper incredibly robust, while the reversible blades will last twice as long.

W-LS Log Splitter

The Splitting Specialist



Tractor-mounted for easy transport

Hydraulic or PTO powered options

Fits 3-point linkage of most compact tractors

Replaceable blade

W-LS





Applications

- ▶ Smallholdings
- ▶ Forestry
- ▶ Estates
- ▶ Landscaping
- ▶ Allotments & gardens

Specifications

Model No	W-LS10H	W-LS10P
Splitting force	10tn	
Power	Hydraulic	PTO
Weight	78kg	126kg
RRP (exc VAT)	£978	£1,869



This tractor-driven log splitter is ideal for smallholdings and estates. It can be used all year round for preparing logs ready for the winter and clearing woodland of large branches and trunks.

The W-LS10H log splitter is powered by the hydraulics of the tractor, so one double-acting spool (two outlets) is required to operate this attachment.

The W-LS10P has a PTO pump so no need for tractor hydraulics.

W-SW Front Mounted Snow Blade



The Splitting Specialist

Front-mounted for easy use	Manually adjustable angle
Blade manufactured in one piece	Low maintenance

W-SW





Applications

- ▶ Tracks & driveways
- ▶ Estates & parks
- ▶ Beaches
- ▶ Yards
- ▶ Amenities & councils

Specifications

Model No	W-SW135	W-SW180
Working width	135cm	180cm
HP range	16+	24+
Weight	103kg	150kg
RRP (exc VAT)	£1,954	£2,337



The Winton snow blade is a great implement for clearing snow from yards and tracks in the winter, but can also be used throughout the year to clear debris, sand and slurry. The blade can be angled for even greater versatility.

The blade head can be lifted using the hydraulics of the tractor so this attachment requires a single-acting hydraulic spool. Supplied with a blank attaching plate for adjustment to fit individual tractors.

W-WB Weight Boxes

The Counter-weight Champion



Suitable for small or compact tractors

Supplied unladen as standard

Increases stability for loader tractors

Quick & easy to fit

W-WB





Applications

- ▶ Smallholdings
- ▶ Forestry
- ▶ Estates
- ▶ Landscaping
- ▶ Allotments & gardens

Specifications

Model No	W-WB225	W-WB450
Laden weight	225kg	450kg
Dimensions	59x33x70cm	69x48x75cm
Lower linkage width	41-62cm	
Weight	45kg	110kg
RRP (exc VAT)	£459	£512



Winton weight boxes give compact tractors increased stability and prevent the tractor tipping due to a heavy front loader or machine. The weight box can be brought to the desired weight by adding sand or aggregate to the inside of the box.

These handy implements are easy to attach to the 3-point linkage of a range of small and compact tractors.

S-AFL ATV Flail Mower

For Quad Bikes, UTV or 4x4



Independent 15hp Loncin engine	Beak shaped hammer flails
Tow ball hitch	Height adjustable wheels
Adjustable linkage height	Adjustable cutting height of 3-10cm

S-AFL





Applications

- ▶ Smallholdings
- ▶ Equestrian
- ▶ Pasture & paddocks
- ▶ Campsites
- ▶ Estates

Specifications

Model No	S-AFL120
Cutting width	120cm
Engine HP	15
Weight	230kg
RRP (exc VAT)	£2,035
Service Pack (exc VAT)	+ £107.53



An ATV flail mower is a great solution for non-tractor owners. Ideal for regular grass maintenance with a 15hp Loncin petrol engine and pull/electric start. Fitted with a standard tow ball hitch this mower can be towed behind quad bikes, ATVs or 4X4s.

Recommended for use at walking speed on level areas of maintained grass, rather than really overgrown areas.

Colour of machine may vary (green or red).

A-FM ATV Finishing Mowers

For Quad Bikes, UTV or 4x4



Independent 12hp B&S engine	Lightweight for less ground impact
Tow ball hitch	Height adjustable wheels
Side or rear discharge options	Adjustable cutting height of 2.5-10cm

A-FM





Applications

- ▶ Smallholdings
- ▶ Equestrian
- ▶ Pasture & paddocks
- ▶ Campsites
- ▶ Estates

Specifications

Model No	A-FM120S	A-FM150S	A-FM120R	A-FM150R
Cutting width	120cm	150cm	120cm	150cm
Output	Side Discharge		Rear Discharge	
Engine HP	12hp Briggs & Stratton Engine			
Weight	182kg	207kg	182kg	207kg
RRP (exc VAT)	£2,556	£2,628	£2,863	£2,933



An ATV finishing mower is a great solution for non-tractor owners. Ideal for regular grass maintenance with a 12hp Briggs & Stratton petrol engine with pull start. Fitted with a standard tow ball hitch this mower can be towed behind quad bikes, ATVs or 4X4s.

Recommended for use at walking speed on level areas of maintained grass, rather than really overgrown areas.

Provides an excellent finish on flat grounds.

A-TTR ATV Hydraulic Tipping Trailer

Self Sufficient Tipping Trailer



2tn capacity	Dual axle for improved stability
Self contained hydraulic tipping	Turf tyre tread for minimum impact
Easy to fit & operate	Dropsides for easy loading

A-TTR





Applications

- ▶ Smallholdings
- ▶ Equestrian
- ▶ Pasture & paddocks
- ▶ Campsites
- ▶ Estates

Specifications

Model No	A-TTR2000
Internal dimensions	240x120x38cm
Weight	375kg
RRP (exc VAT)	£2,250



This tipping trailer is perfect for moving a wide range of items. It is fitted with turf tyres so tread marks left in the grass are reduced. These trailers are self sufficient and require no external hydraulic power. The hydraulic pump and tipper controls are mounted in the front box.

It is ideal for moving logs, muck, hay and plants around any estate or smallholding. This model is not designed for use on British roads.

A-GB ATV Grader Blades

The Great Leveller



360° pivot	Reinforced design for strength and reliability
Toughened steel blade	Blade easily replaceable
Suits small and compact tractors	Simple to fit and operate

A-GB





Applications

- ▶ Smallholdings
- ▶ Equestrian
- ▶ Pasture & paddocks
- ▶ Campsites
- ▶ Estates

Specifications

Model No	A-GB120	A-GB150
Working width	120cm	150cm
Weight	100kg	110kg
RRP (exc VAT)	£531	£582



With toughened steel blades, which can pivot 360°, the Winton grader blade is a highly versatile attachment for levelling a wide range of surfaces. It is ideal for flattening tracks, sand menages or freshly tilled ground.

The manual pivot allows the user to level even the narrowest and most awkward areas to a fine finish.

Ideal to tow behind ATV, RTV & 4x4's

A-LR ATV Landcape Rakes

The Great Leveller



Robust heavy-duty frame	Adjustable offset positions
Head can be angled or reversed for control	Heavy-sprung steel tines
Suitable for small or compact tractors	Simple to fit and operate

A-LR





Applications

- ▶ Smallholdings
- ▶ Equestrian
- ▶ Pasture & paddocks
- ▶ Campsites
- ▶ Estates

Specifications

Model No	A-LR120	A-LR150
Working width	120cm	150cm
Weight	123kg	135kg
RRP (exc VAT)	£602	£676



With toughened steel blades, which can pivot 360°, the Winton grader blade is a highly versatile attachment for levelling a wide range of surfaces. It is ideal for flattening tracks, sand menages or freshly tilled ground.

The manual pivot allows the user to level even the narrowest and most awkward areas to a fine finish.

Ideal to tow behind ATV, RTV & 4x4's

W-BT Water Bowser IBC Trailer

The Water Warrior



50mm swivel ball hitch

Food grade 1,000L IBC tank

Excellent stability on most terrains

Trailer fits most 1x1.2m IBCs

W-BT





Applications

- ▶ Gardens
- ▶ Estates
- ▶ Livestock care
- ▶ Animal attractions
- ▶ Equestrian centres

Specifications

Model No	W-BT & W-IBC
Max. capacity	1,000L
HP range	14-40
Weight	154kg
RRP (exc VAT)	£857
Trailer only (W-BT) (exc VAT)	£705



The Winton bowser trailer is ideal for transporting water around a smallholding, particularly in the high heat of summer. With 1,000L capacity, the bowser can bring plenty of water to thirsty plants or animals.

This attachment is very low maintenance, as it has few moving parts and is so simple to use. It does not require a tractor, thanks to its ball hitch.

We pride ourselves in holding a vast stock of spare parts for our machines. Most are available on the shelf for next day delivery. Contact us or your local dealer with your requirements.

We also stock a wide range of general accessories for compact tractors. We stock various lengths of PTO shafts, top-link arms and top-link pins on the shelf to suit a range of different compact tractors.

Most items are in stock in the UK and are available for next working day delivery.

Part	RRP (exc VAT)
Towing A frame with 50mm ball hitch & pin	£95.00
Linch pins 10mm (pack of 10)	£8.00
Cat 1 to 2 link pin conversion bushes	£8.00
Shear bolts (pack of 10)	£9.00
Grease gun	£36.00
Grease gun cartridge 400g	£5.33
Winlube gear oil 1L bottle (80W90)	£14.00
Chain oil 1L (EP140)	£14.00
Engine oil 1L (SAE30)	£14.00
Top link arm 460-660mm cat 1	£21.00
Top link arm 550-700mm cat 1	£25.00
Top link arm 630-780mm cat 1	£29.00
Top link arm 650-830mm cat 1	£31.00
Top link arm 750-900mm cat 2	£36.00
Top link pin 76mm cat 1 (pack of 5)	£10.00
Top link pin 102mm cat 1 (pack of 5)	£11.00
Top link pin 127mm cat 1 (pack of 5)	£12.00



If you are looking for a bulk quote for any of our spare parts, please contact us with your requirements.

We offer competitive bulk rates on our top link arms, pins & PTO shafts.

Part	RRP (exc VAT)
60cm PTO shaft (closed length)	£88.00
80cm PTO shaft (closed length)	£96.00
90cm PTO shaft (closed length)	£98.00
100cm PTO shaft (closed length)	£104.00
110cm PTO shaft (closed length)	£109.00
120cm PTO shaft (closed length)	£112.00
130cm PTO shaft (closed length)	£119.00
160cm PTO shaft (closed length)	£128.00
60cm shear bolt PTO shaft (closed length)	£116.00
80cm shear bolt PTO shaft (closed length)	£124.00
100cm shear bolt PTO shaft (closed length)	£132.00
120cm shear bolt PTO shaft (closed length)	£140.00
130cm shear bolt PTO shaft (closed length)	£146.00
160cm shear bolt PTO shaft (closed length)	£156.00
70cm slip clutch PTO shaft (closed length)	£100.00
80cm slip clutch PTO shaft (closed length)	£164.00
100cm slip clutch PTO shaft (closed length)	£174.00
120cm slip clutch PTO shaft (closed length)	£184.00





Find your local dealer

We have a large distribution network with stockists located UK-wide. For our up-to-date distributor locations, please use the QR code above or contact us directly.

Please note that distributors' stocks do vary, so contact them directly for full stock lists.

We are always happy to introduce new companies to our growing network of distributors, both within and outside of the UK.

Please contact us for further details about becoming a distributor.



Check our website for our show calendar to see which shows we are attending.

We are represented across the UK at various shows through our dealer network where our sales team are often on hand to offer advice and support.



We want to see your Winton attachments in action! Feel free to tag us on our various social media channels with your photos & videos.

We post new content regularly so if you want to keep up to date with all the latest Winton events, news & product information, follow us from the QR codes below on your favourite platforms to keep up to date.



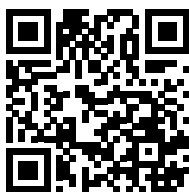
Website



Facebook



Instagram



TikTok



YouTube





Local Stockist:



Prices valid from 1/3/26. E&OE, prices subject to change without notice.



www.wintonmachinery.co.uk
sales@wintonmachinery.co.uk
01420 520510